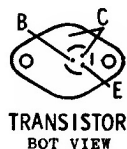
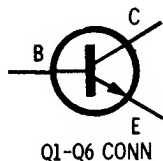


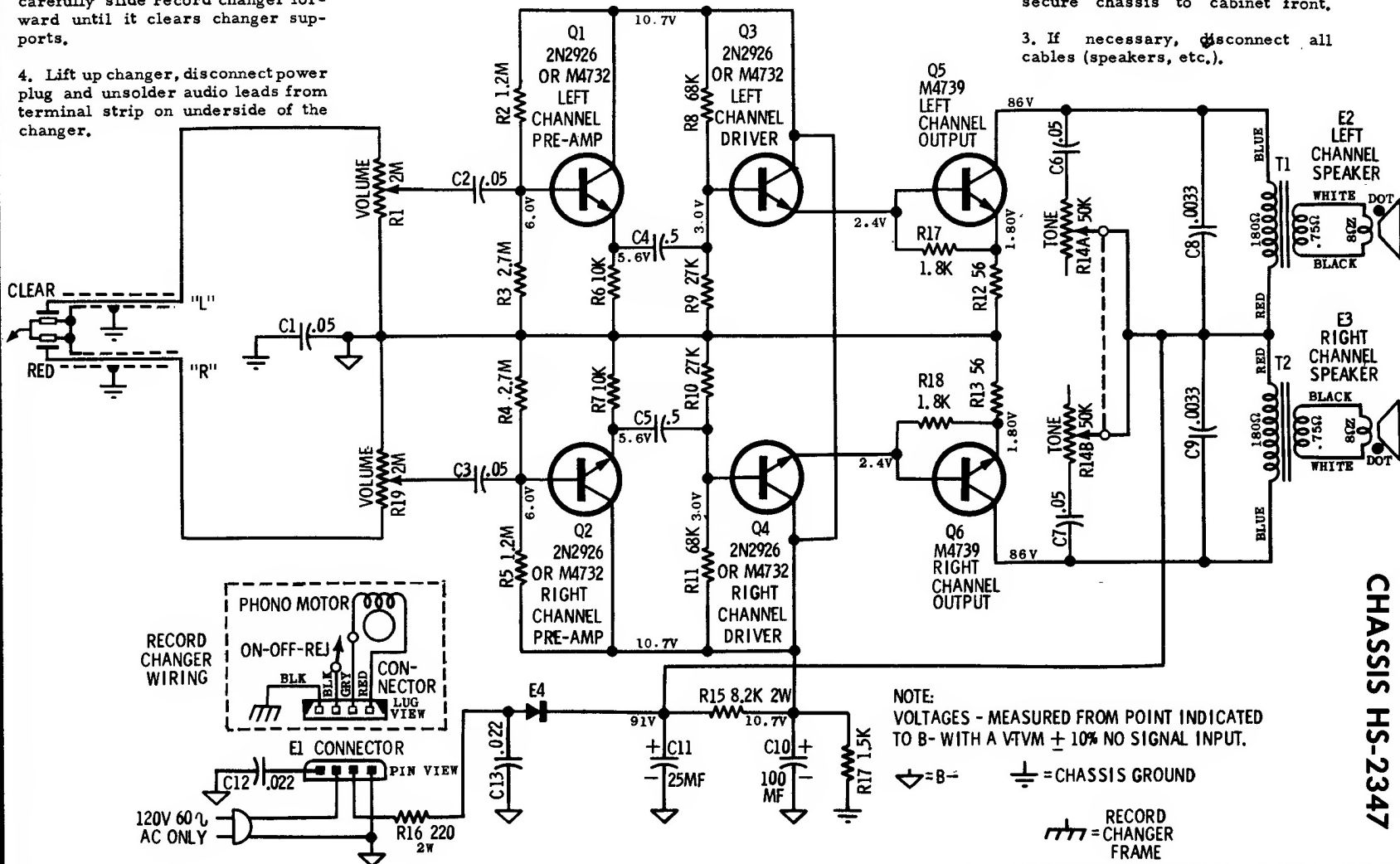
## RECORD CHANGER REMOVAL

1. Open changer drawer to operating position.
2. Screw changer hold down screws fully into record changer base.
3. Raise the front of the changer enough to clear drawer edge and carefully slide record changer forward until it clears changer supports.
4. Lift up changer, disconnect power plug and unsolder audio leads from terminal strip on underside of the changer.



## CHASSIS REMOVAL

1. From rear of cabinet, remove four (4) screws along rear of handle and four (4) screws across cabinet back.
2. Remove three (3) control knobs. Carefully pull cabinet front forward and remove three (3) screws which secure chassis to cabinet front.
3. If necessary, disconnect all cables (speakers, etc.).



**MOTOROLA**

**MODELS PP200B, 201B  
CHASSIS HS-2347**